



# **Solidcom ANT01 Antenna**

## **Quick Guide**

V1.0

**EN** Please read this Quick Guide carefully. We wish you a pleasant experience. To obtain Quick Guide information in other languages, please scan the QR code below.



## ■ Safety Instructions

For safety purposes, please read the following safety precautions before using the device to ensure proper product usage:

- Do not install the device near or inside heating appliances, cooking equipment, high-pressure containers (such as microwaves, induction cookers, electric ovens, electric heaters, pressure cookers, water heaters, gas stoves, etc.) to prevent battery overheating and explosion.
- Use only original manufacturer-certified chargers, cables, and batteries. Unauthorized or incompatible accessories may cause electric shock, fire, explosion, or other hazards.
- Prevent the power cord from being stepped on or squeezed, especially at the plugs, sockets, and extended sections.
- Disconnect the power plug during thunderstorms or when the device is not in use for extended periods.
- Do not disassemble the device unless directed by qualified manufacturer technicians.
- All repairs must be performed by authorized service personnel.

### Key Features

- The central station and antenna module feature a modular design. The central station supports cascading up to 8 antennas, while each antenna can operate independently without the central station. In standalone mode, antennas allow cascading of up to 3 units. Each antenna accommodates connections with 20 belt packs, enabling flexible network configurations to achieve full-duplex communication for 10–80 belt packs.
- The antenna delivers a 500-meter wireless coverage radius, with 8 antennas cascaded covering an area larger than 900 football fields. Seamless roaming cascade between antennas ensures uninterrupted connectivity, allowing belt packs to move freely within the coverage zone without signal dropout.
- The belt pack features four dedicated call buttons and one reply button. Each call button supports binding with up to 4 audio channels. A single belt pack can support full-duplex communication with up to 16 audio sources simultaneously.
- The system supports storage of up to 100 group configurations, 100 role presets, and 80 belt pack profiles, enabling customized communication logic for diverse client scenarios while eliminating repetitive system configuration tasks.
- Ultra-compact belt pack (net weight: 305g) with integrated Bluetooth 5.2 module. Compatible with mainstream wireless headsets, enabling cable-free operation on set.
- Auto-Cascade enables plug-and-play connectivity between Geo Central Station and Solidcom ANT01 Antenna via Ethernet, requiring zero IP configuration or manual network parameter setup.
- The belt pack features fast pairing via the charging base. By cascading the charging base into the central station/antenna network, automatic pairing and one-click system configuration deployment can be achieved, significantly improving the efficiency of configuring large-scale systems.
- The Geo Central Station/Solidcom ANT01 Antenna supports WiFi/Bluetooth connectivity with PCs and mobile devices. Wireless access via web configuration interface and dedicated APP enables remote adjustment of system parameters.

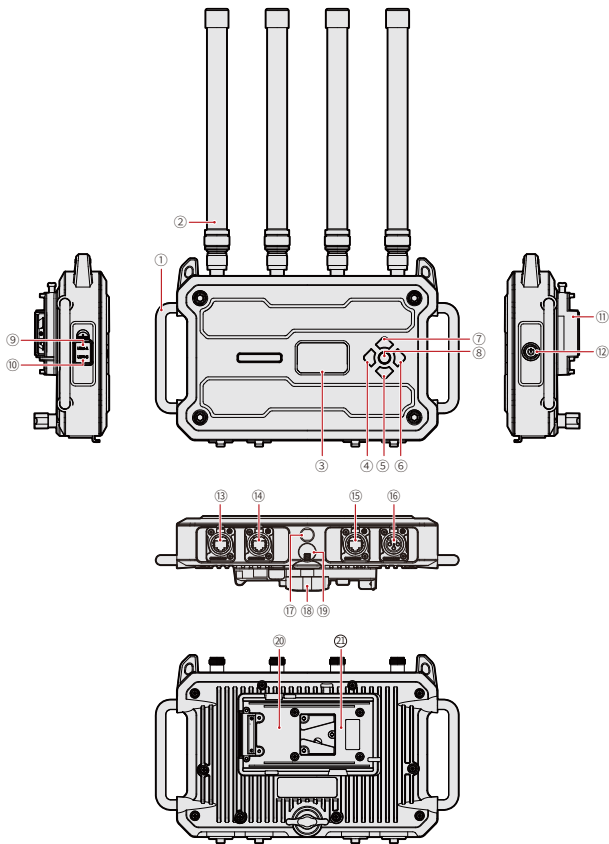
## Key Features

- The system configuration document supports local import and upload, as well as cloud-based virtual configuration. This enables remote system configuration design, which can be saved locally for later on-site upload, significantly improving workflow efficiency.
- The central station features a built-in 4×4 DANTE port, enabling direct integration of the intercom system into the on-site DANTE/AES67 network.
- The intercom system enables remote configuration access via web interface, allowing technical support personnel to provide real-time assistance over internet connections for on-site issue resolution.
- Systems equipped with the Geo Central Station support remote access for up to 8 cloud-based APP users, while systems solely equipped with the Solidcom ANT01 Antenna still support remote access for up to 4 cloud-based APP users. Real-time global access from any location is achievable via the internet.
- The beltpack (IP65-rated) and antenna (IP54-rated) provide water and dust resistance, enabling reliable operation in rain or adverse weather conditions.
- The beltpack system features replaceable batteries and includes a standard charging base capable of simultaneously charging 10 beltpacks or 10 individual batteries, with each battery providing 15+ hours of continuous operation.
- The professional intercom headset features a 0B10 interface, combining rugged durability with ergonomic comfort. Equipped with Dual-Mic ENC (Environmental Noise Cancellation), it delivers high-quality audio communication in noisy environments.

\* The related data is based on Hollyland laboratory test results.

# Product Overview

## Product Interfaces

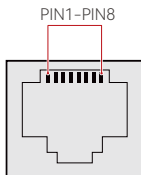


## ■ Product Interfaces

1. Handle
2. Fiberglass Antenna
3. Display Screen
4. Left Button
5. Down Button
6. Right Button
7. Up Button
8. Menu/Confirm Button
9. USB-A Port (for device pairing/upgrade)
10. USB-C port (for UAC audio)
11. V/G-Mount Battery Plate
12. Power Switch (with LED indicator)
13. POE IN/LAN (RJ45)
14. POE OUT/LAN (RJ45)
15. 4-Wire Audio Interface (RJ45 with lock)
16. 2-Wire Audio Interface (3-Pin XLR F)
17. 3/8" Mount Hole
18. 5/8" Mount Hole
19. Quick-Release Knob
20. 3/8" Mount Hole\*2 (visible after battery plate removal)
21. Battery Connector Component (visible after battery plate removal)

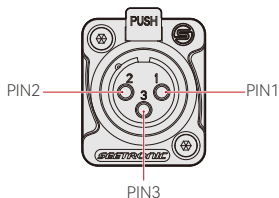
## Interfaces

LAN Interface:



Standard Pinout			
PIN1	-POWER	PIN5	+POWER
PIN2	-POWER	PIN6	+POWER
PIN3	+POWER	PIN7	-POWER
PIN4	+POWER	PIN8	-POWER

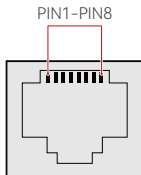
2-Wire Audio Interface:



PIN1: GND  
 PIN2: DC POWER(30V)/AUDIO  
 PIN3: AUDIO

4-Wire Audio Interface:

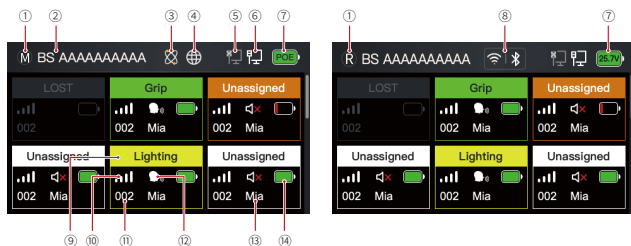
Input Impedance: 10K $\Omega$



Standard Pinout			
PIN1	NULL	PIN5	AUDIO IN-
PIN2	NULL	PIN6	AUDIO OUT-
PIN3	AUDIO OUT+	PIN7	GND
PIN4	AUDIO IN+	PIN8	GND

# Home Page Introduction

## Home Page Introduction



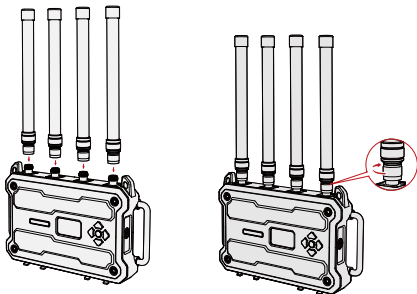
1. Master/Remote Identifier
2. Antenna Name
3. Roaming Status (visible: on, hidden: off)
4. Network Connection Status (visible: connected, hidden: disconnected)
5. Left Ethernet Port Status (white: connected, gray: disconnected)
6. Right Ethernet Port Status (white: connected, gray: disconnected)
7. Power Status: POE/power supply (voltage displayed)
8. Wi-Fi & Bluetooth Status (white: on, gray: off)
9. Beltpack Role
10. Beltpack Signal Strength
11. Beltpack ID
12. Beltpack Status: Talk/Mute
13. Beltpack Name (displays beltpack ID if unnamed)
14. Beltpack Battery Level

### Note:

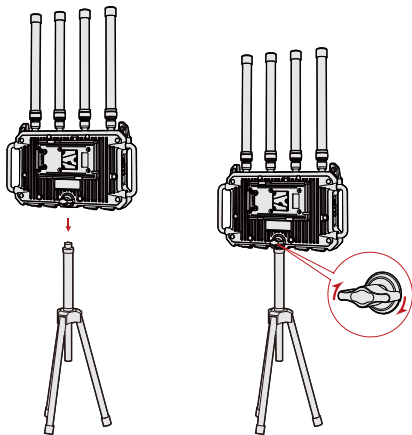
- A single Antenna supports up to 10 connected beltpacks, with their information displayed.
- Use short presses of the Up/Down buttons to page through the list.
- Disconnected beltpacks are not displayed in the list.

# Installation

1. Install the antennas as shown in the diagram.

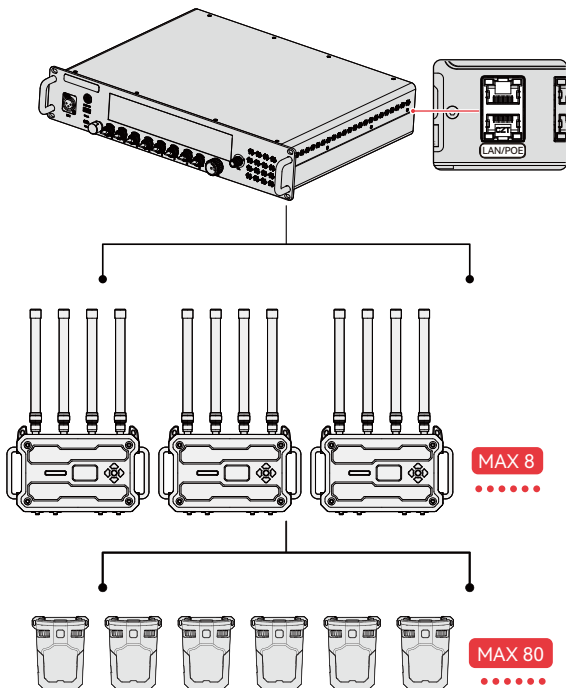


2. Mount the device on the tripod and secure it.



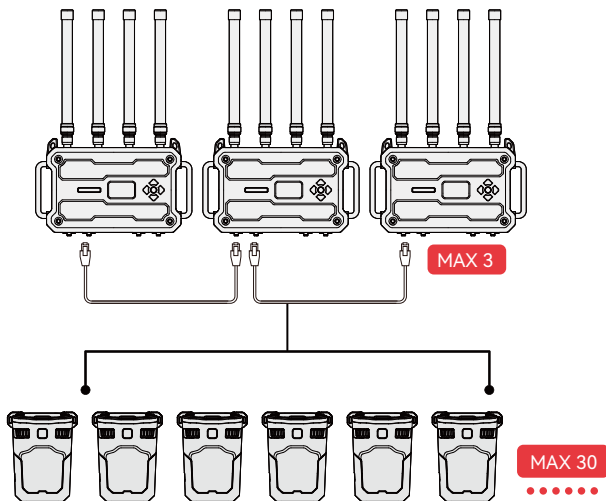
## Integrated Mode

A single central station supports cascading up to 8 antennas. Antennas can be daisy-chained via POE-powered network ports on the rear of the central station, with each POE port supporting up to 3 antennas. Alternatively, antennas can be powered separately via an adapter and connected to the standard network ports on the central station. In this mode, up to 80 belt packs can be simultaneously online with full-duplex communication.



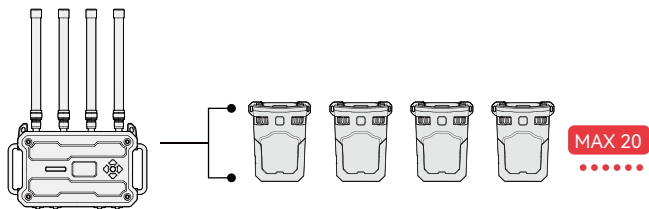
## Standalone Mode

- Multi-RRU cascading system
1. Standalone operation
    - Max 3 cascaded antennas without central station
    - Each antenna provides POE-powered LAN ports (1 set per unit)
  2. Power distribution
    - Single POE adapter drives 3 antennas
  3. System capacity
    - Supports 30 concurrent beltpacks
    - Guarantees full-duplex communication



## Connection

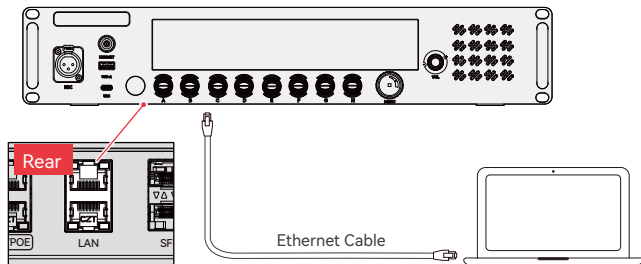
- Single-RRU operation
1. Capacity
    - Supports 20 concurrent beltpacks
    - Full-duplex communication
  2. Power configurations
    - Power can be supplied via a POE adapter or a V/G mount battery. Please note that when using battery power, the official battery mounting plate must be installed on the back of the antenna.



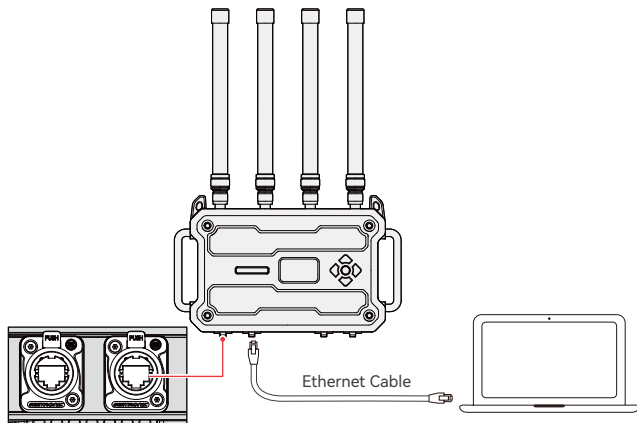
# System Configuration

## Web Configuration

1. Connect the rear LAN port (RJ45) of the central station to the PC Ethernet port using a standard RJ45 cable.



Alternatively connect the PC Ethernet port directly to any antenna's LAN port (RJ45).



## System Configuration

2. Configure the computer's IPv4 settings to match the central station's subnet. Launch the default browser, enter the central station's IP address, and navigate to the web login interface.



### Unauthorized Login to your account

User

Password

[OK](#)

3. Log in using [Default username: admin; Default password: 12345678] or custom credentials to access the web-based system configuration interface.

## App Configuration

1. Download the "HOLLYVOX" app.



2. Enable Bluetooth on your phone, search for a Bluetooth device starting with "HLD," and tap to connect.
3. Open the "HOLLYVOX" app, wait for the software to fully load, then tap "Connect" to start configuring the central station.

## Specifications

Solidcom ANT01 Antenna	
Model	Solidcom ANT01
Product Name	Full-Duplex Wireless Intercom System
LOS Range	500m
Operating Frequency	DECT: 1880 - 1930 MHz; BT: 2402 - 2480 MHz WIFI: 2.4G - 2.4835 Ghz
Transmit Power	24 dBm
Bandwidth	1.728 MHZ
Modulation Mode	GFSK
Receiver Sensitivity	-90 dBm
Antenna Gain	4dB
Power Consumption	15.5W
POE Output Power	≤ 45W
POE Input Power	≤ 60W
V/G Mount Battery Voltage Range	9 - 30V
Dimensions	302mm × 188.56mm × 64.6mm
Weight	1987g
Ingress Protection (IP) Rating	IP54
Operating Temperature	-10 - 45°C
Storage Temperature	-20 - 60°C

## Safety Precautions

Do not place the device near or inside heating devices (including but not limited to microwave ovens, induction cookers, electric ovens, electric heaters, pressure cookers, water heaters, and gas stoves) to prevent the battery from overheating and exploding. Use the original charger, data cables, and batteries provided with the product. Using unauthorized or incompatible chargers, data cables, or batteries may cause electric shock, fire, explosion, or other dangers.

## Support

If you encounter any problems in using the product or need any help, please contact Hollyland Support Team via the following ways:

-  Hollyland User Group
-  HollylandTech
-  HollylandTech
-  HollylandTech
-  support@hollyland.com
-  www.hollyland.com

## Statement:

All copyrights belong to Shenzhen Hollyland Technology Co., Ltd. Without the written approval of Shenzhen Hollyland Technology Co., Ltd., no organization or individual may copy or reproduce part or all of any written or illustrative content and disseminate it in any form.

## Trademark Statement:

All the trademarks are owned by Shenzhen Hollyland Technology Co., Ltd.

## Note:

Due to product version upgrades or other reasons, this Quick Guide will be updated from time to time. Unless otherwise agreed, this document is provided as a guide for use only. All representations, information, and recommendations in this document do not constitute warranties of any kind, express, or implied.

# **HOLLYVIEW**

Powered by Hollyland

---

Shenzhen Hollyland Technology Co., Ltd.

8F, 5D Building, Skyworth Innovation Valley, Tangtou Road, Shiyan Street, Baoan District,  
Shenzhen, 518055, China

MADE IN CHINA